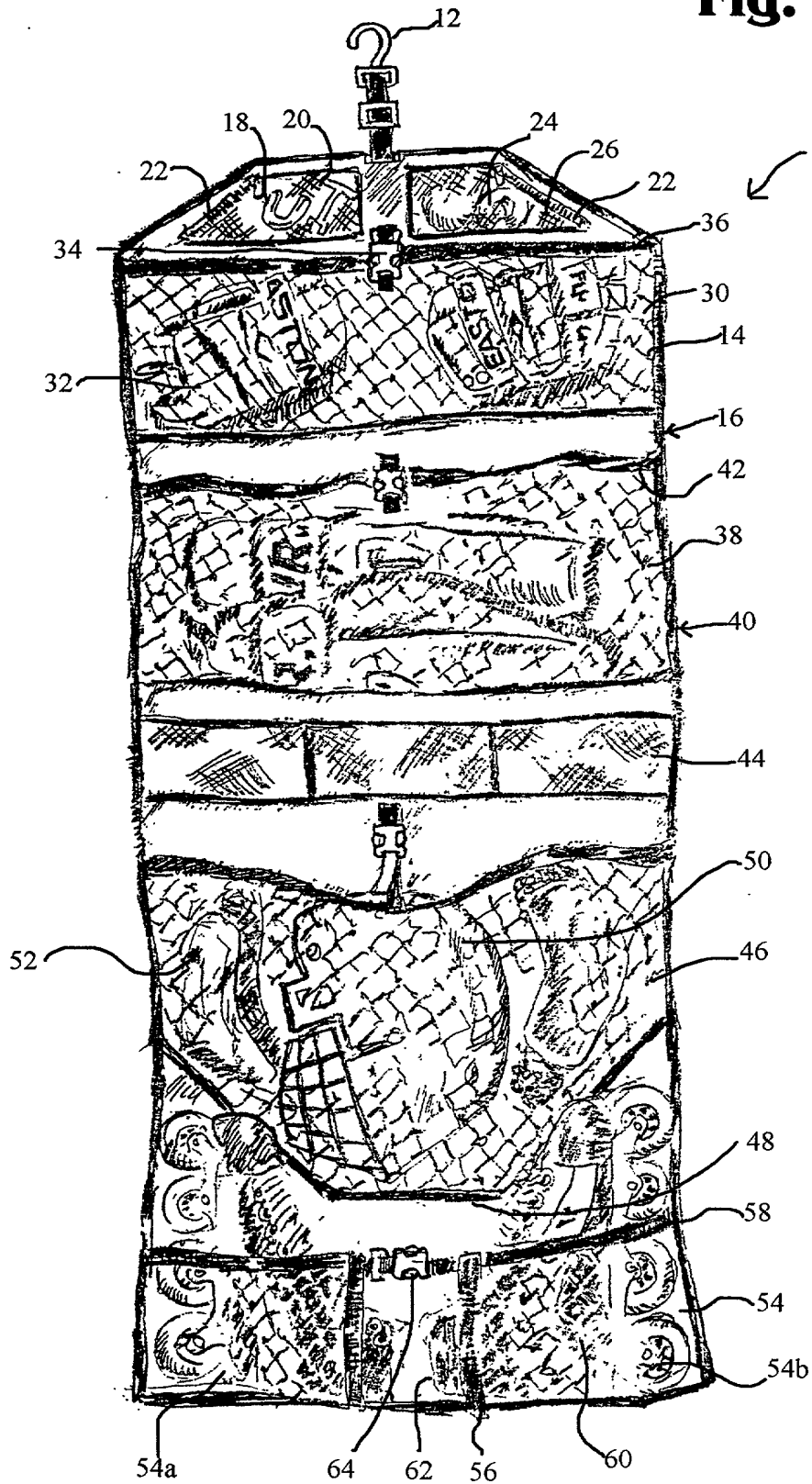


OFFICE OF THE
COMMISSIONER OF PATENT AND TRADE MARKS
INDIA

Fig. 1



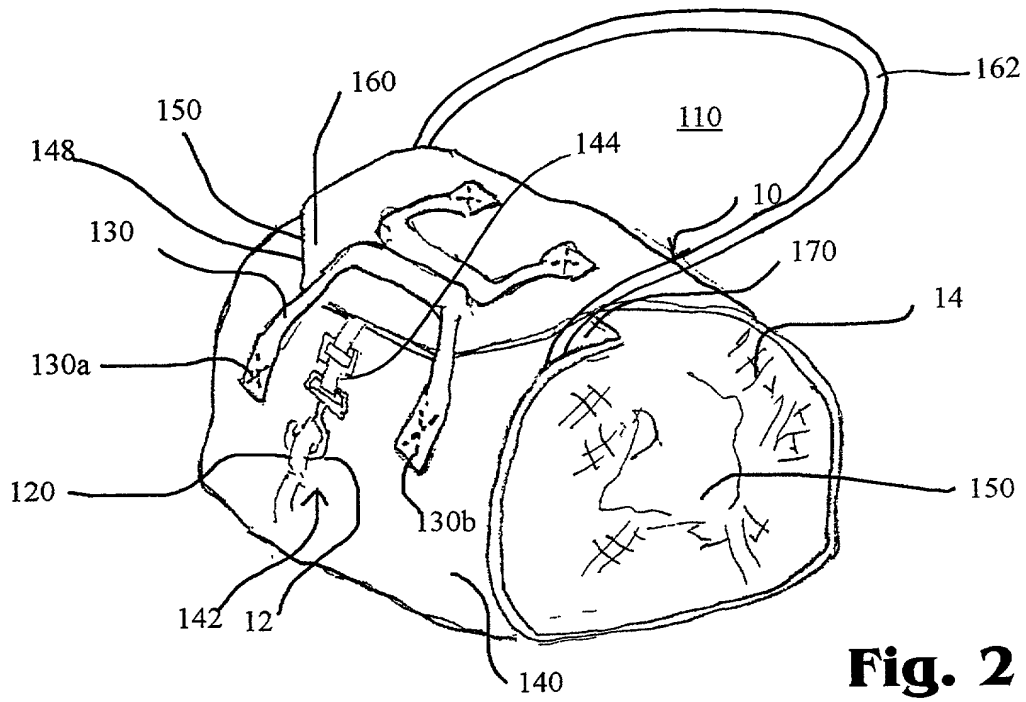


Fig. 2

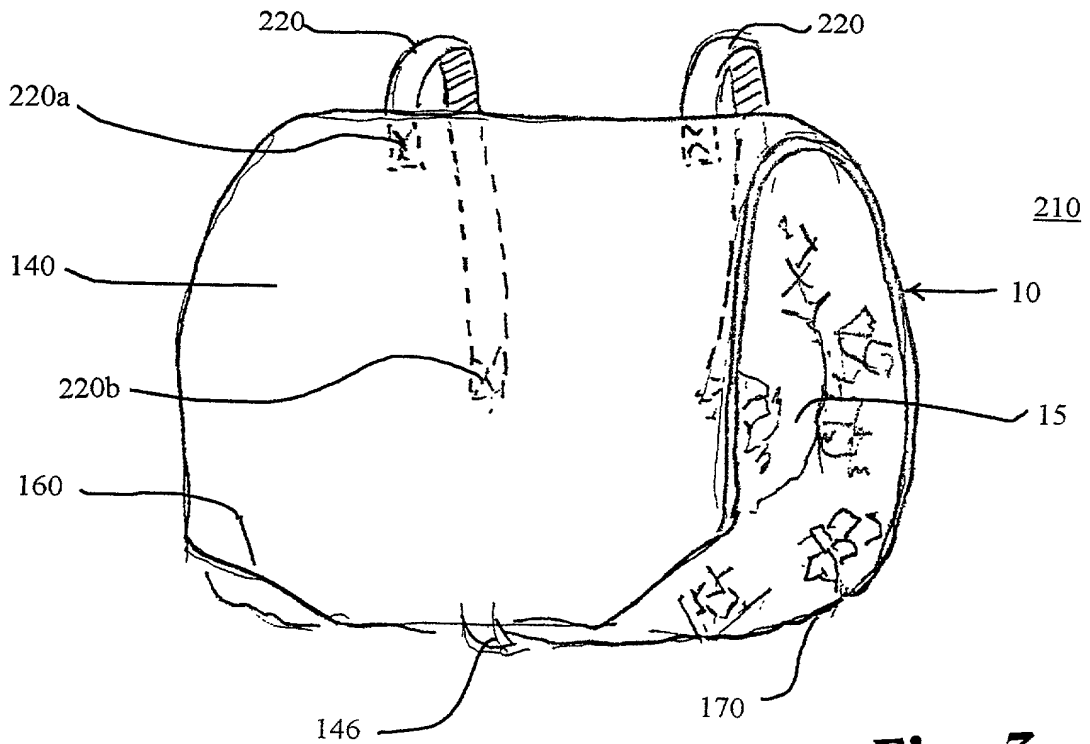
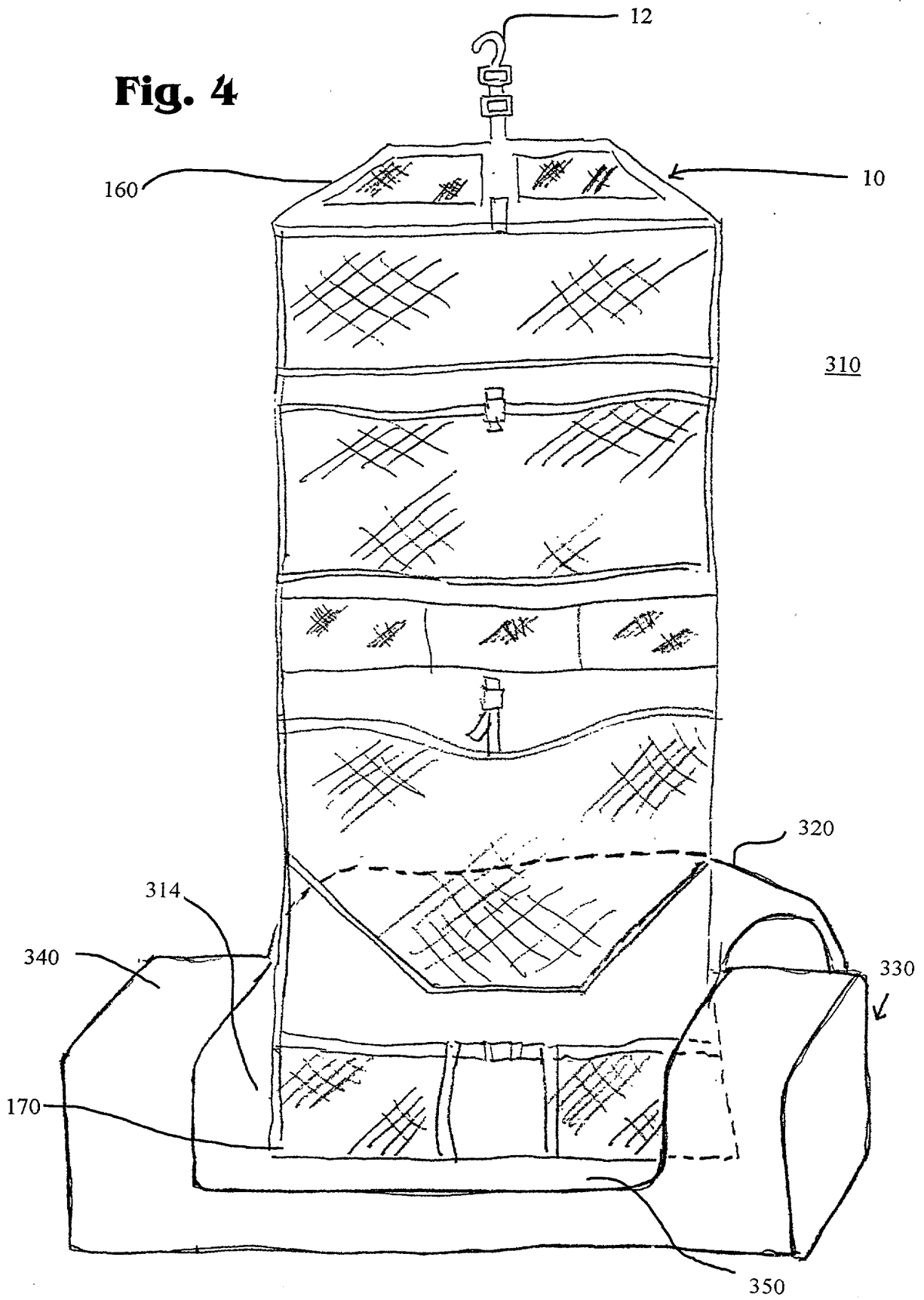


Fig. 3

Fig. 4



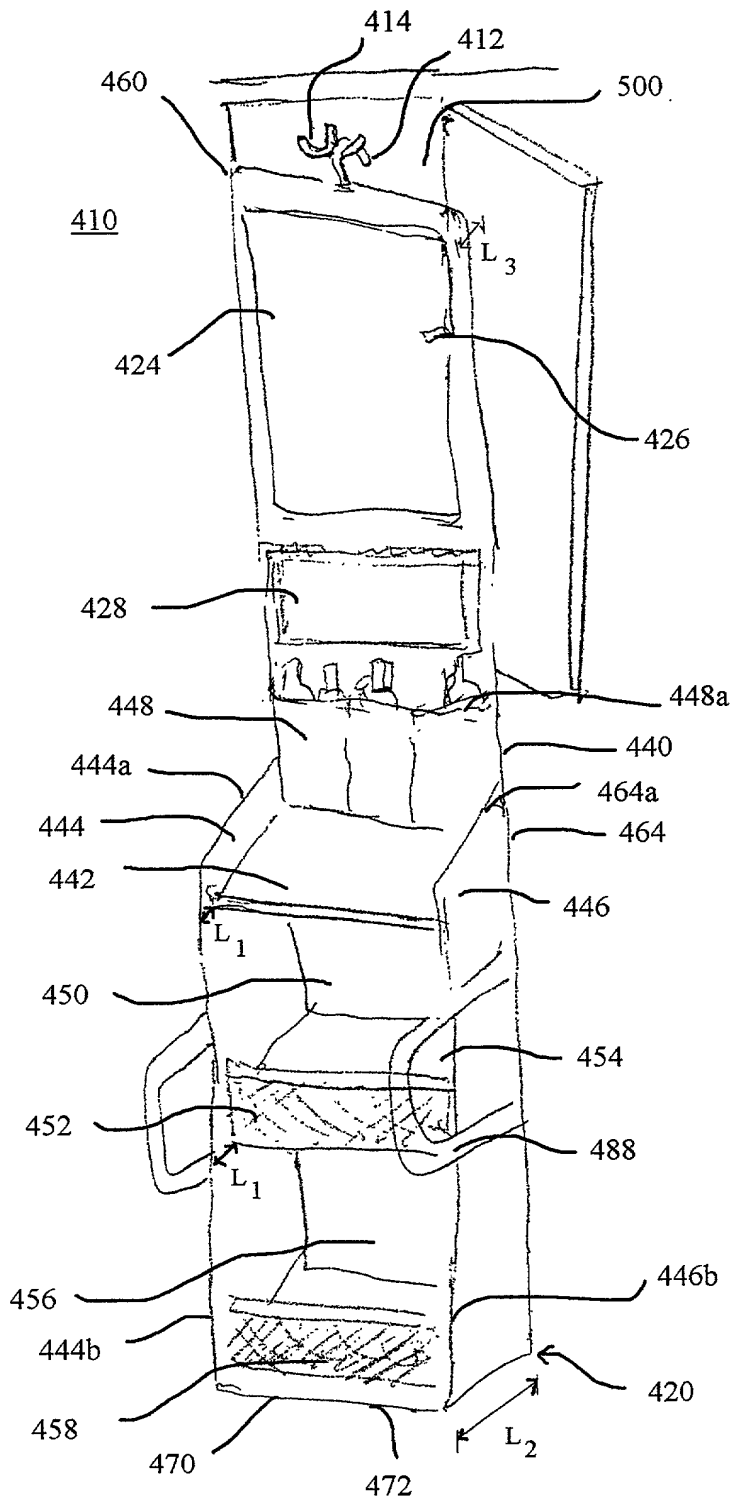


Fig. 5

Fig. 6

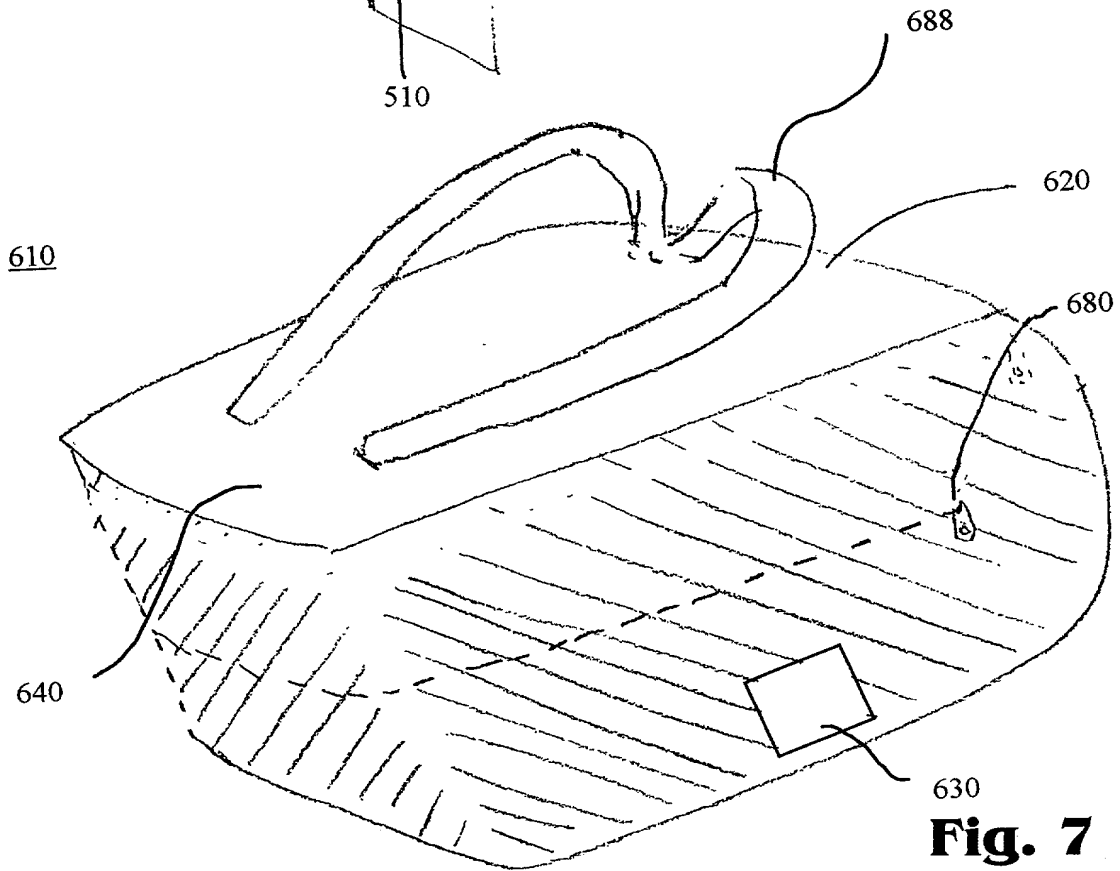
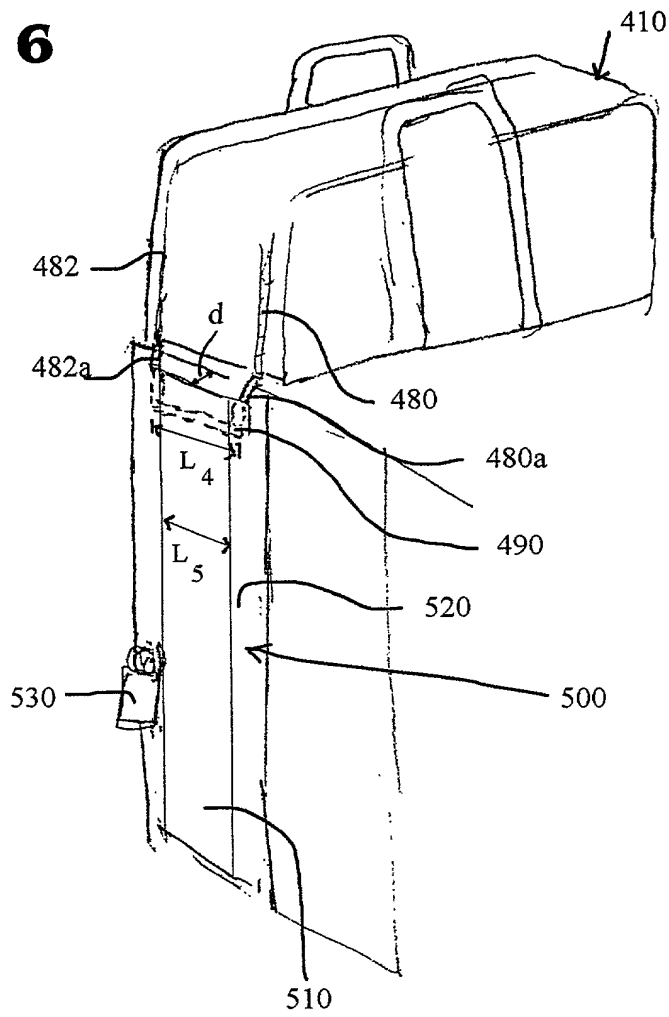


Fig. 7

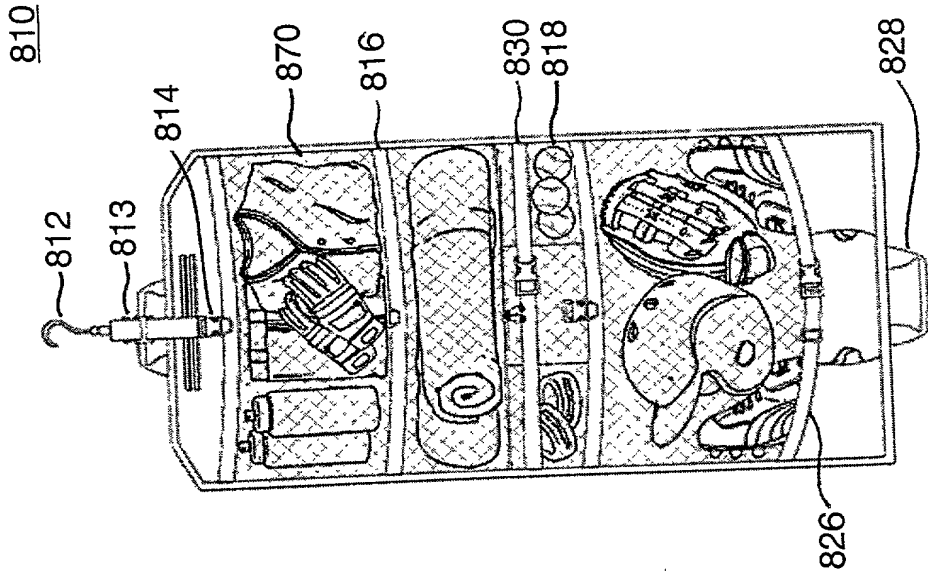


Fig. 8

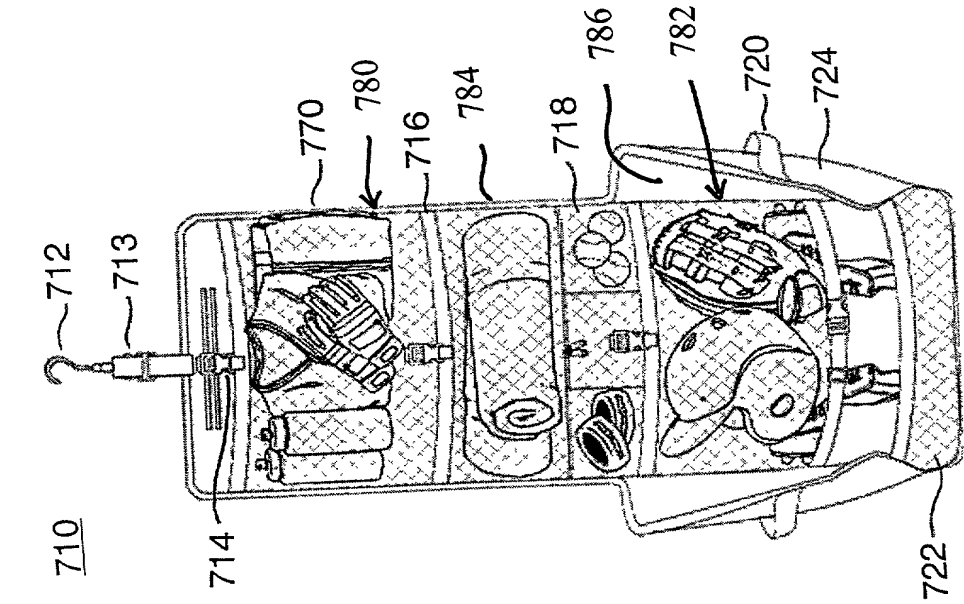


Fig. 9

FIG. 10 is a perspective view of a bag with a front flap and a handle.

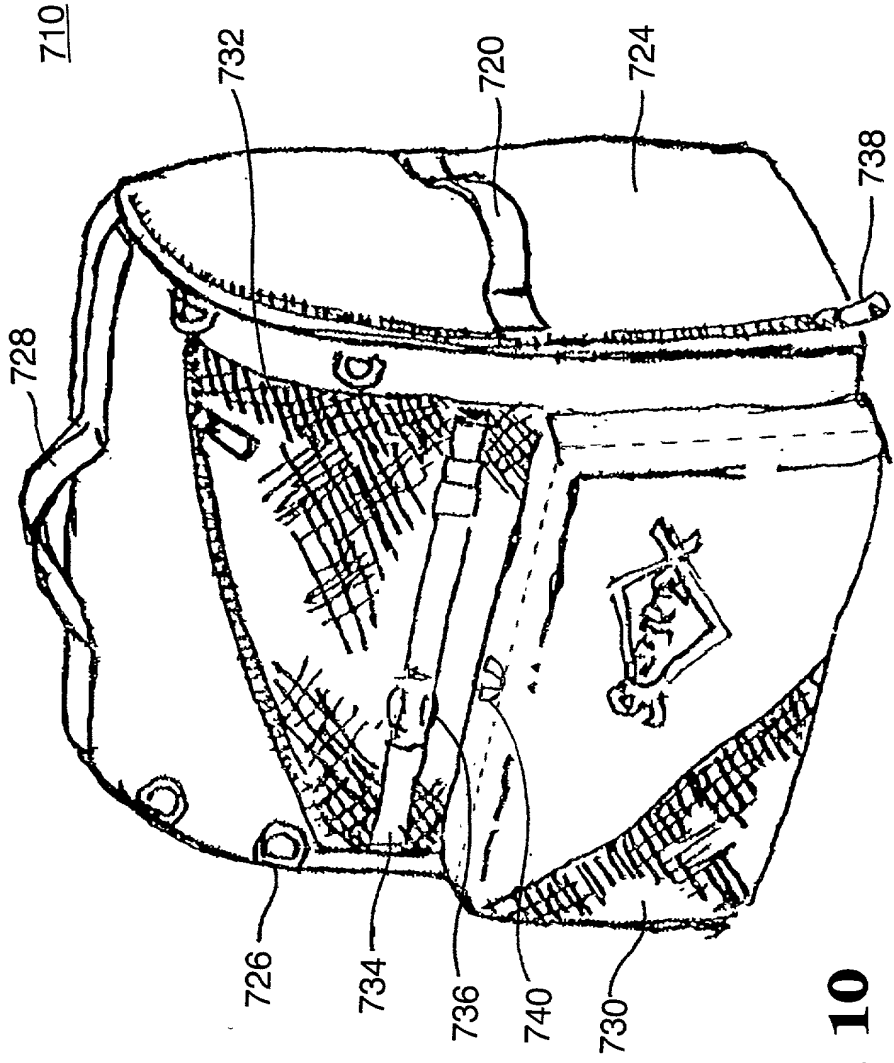


Fig. 10

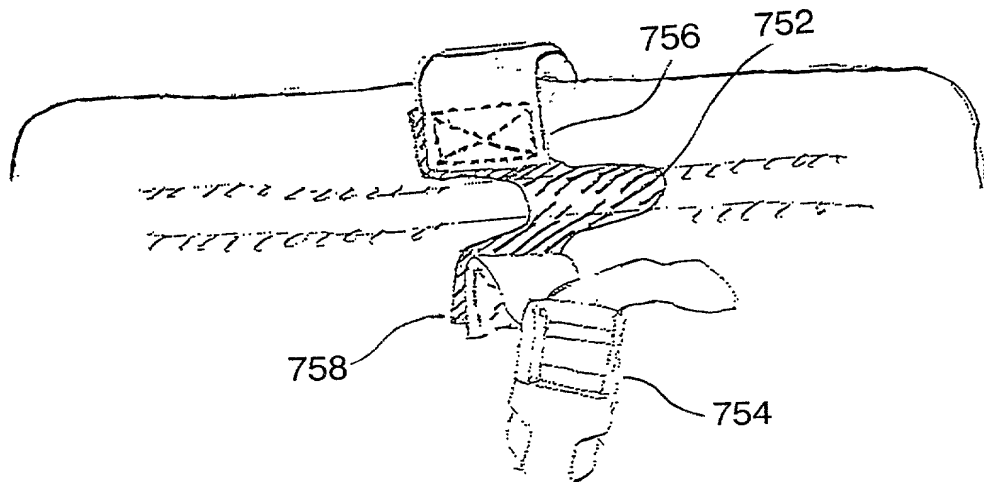


Fig. 11

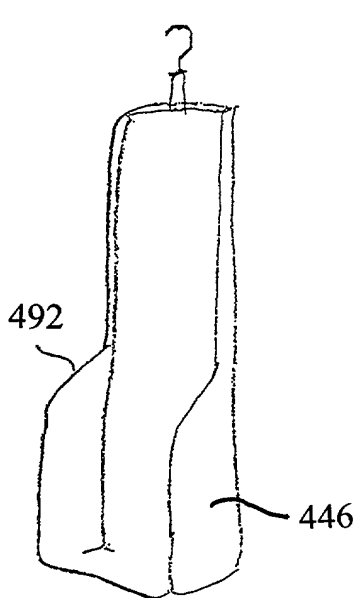


Fig. 12

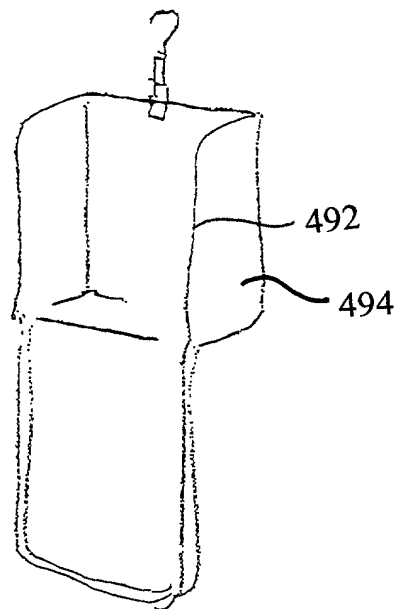


Fig. 13

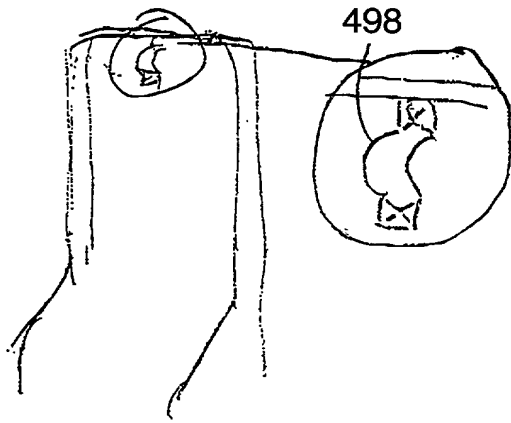


Fig. 14

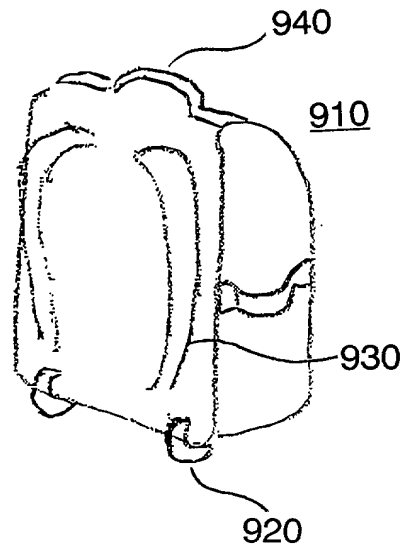


Fig. 15

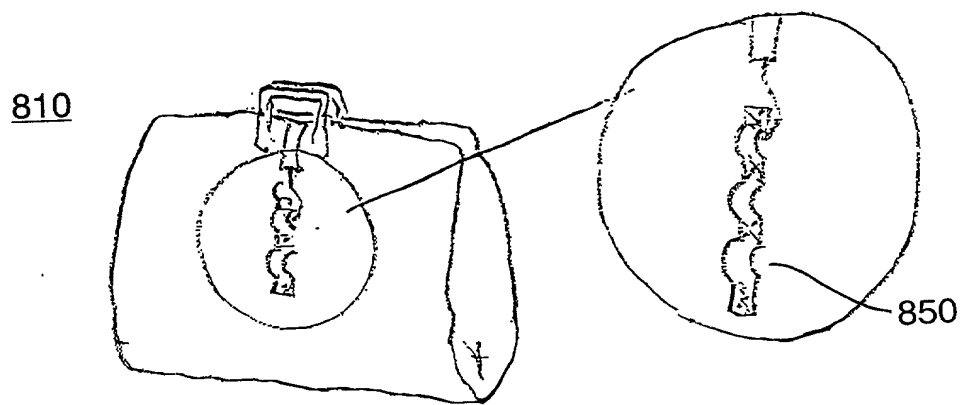


Fig. 16

FIG. 17

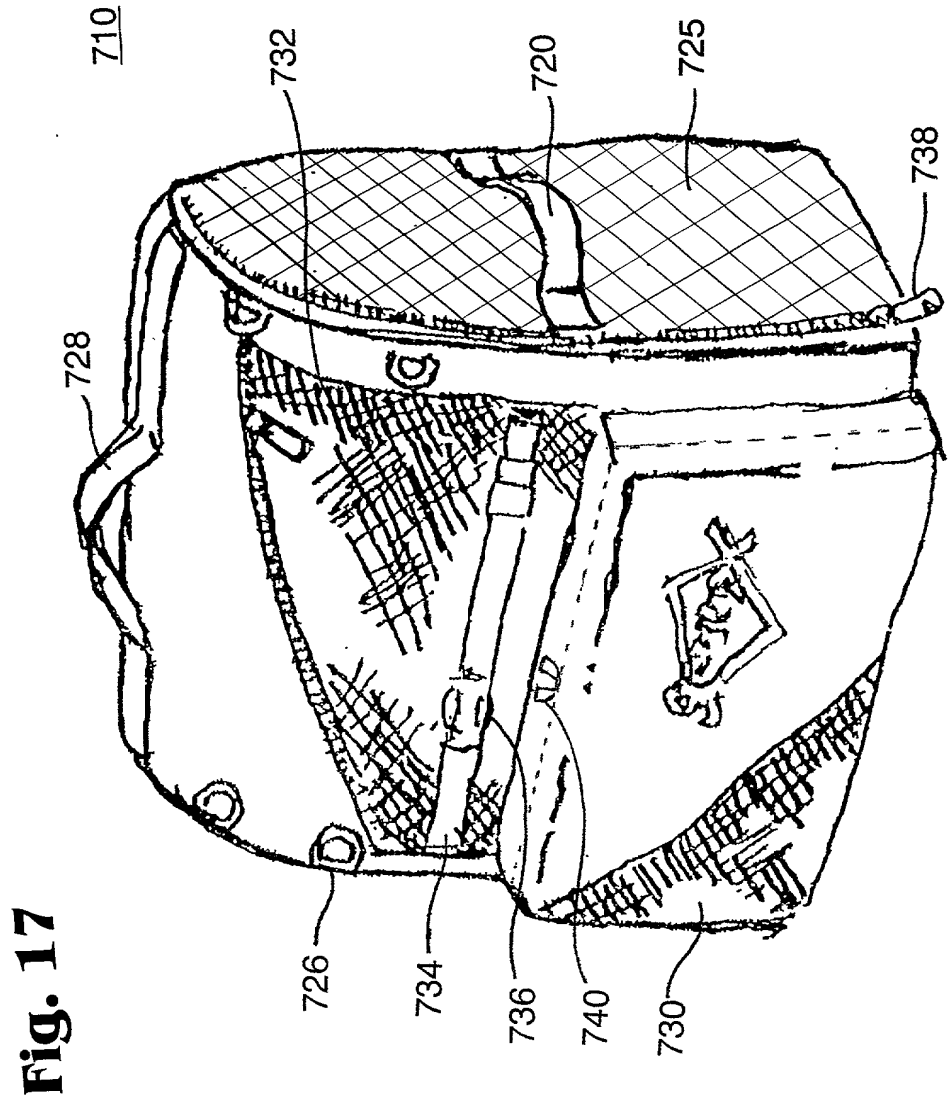


Fig. 17

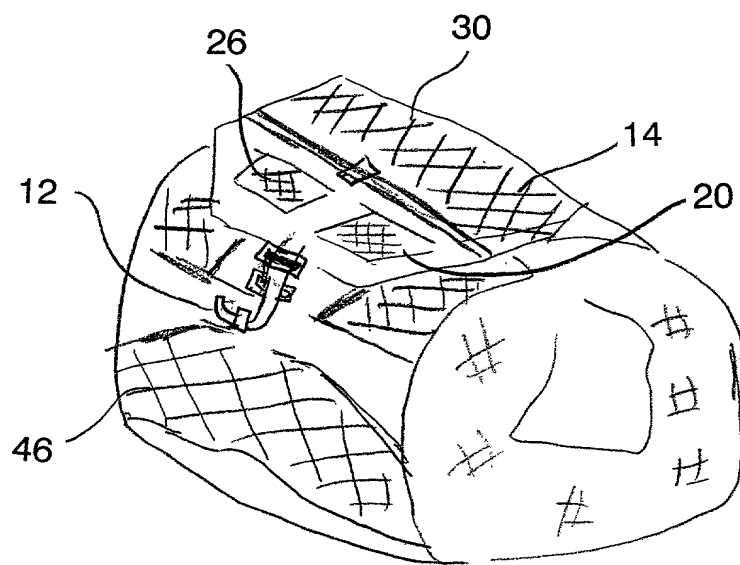


Fig. 18

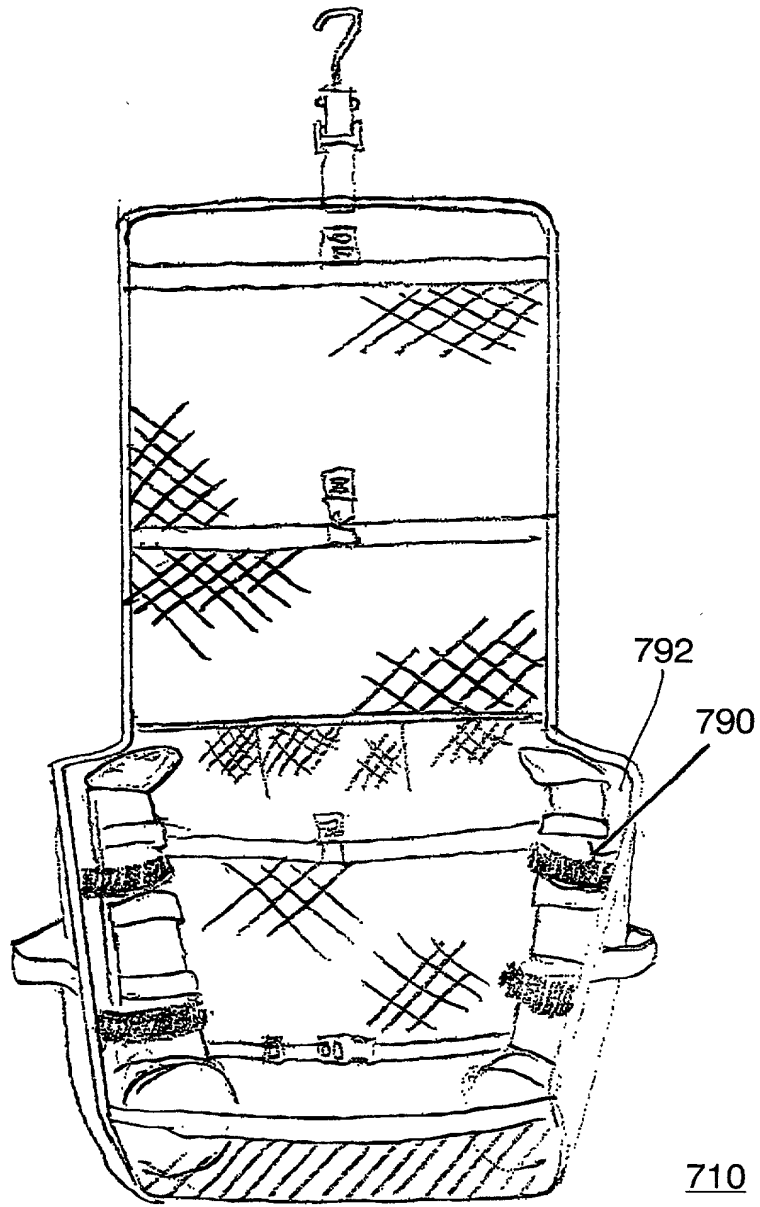


Fig. 19